

Mini Switch

– KSR-OPTO.0029 –

KSR KUEBLER AG · Data sheet Mini Switch KSR-OPTO.0029

Applications

- Manufacturing
- Cooling machines

Special features

- Replaced the electrical part without opening the tank
- Screw-in part with the glass prism remains at the tank
- Operating status is monitored by an LED on the device

Description

The Mini Switch is used for monitoring of liquid levels.

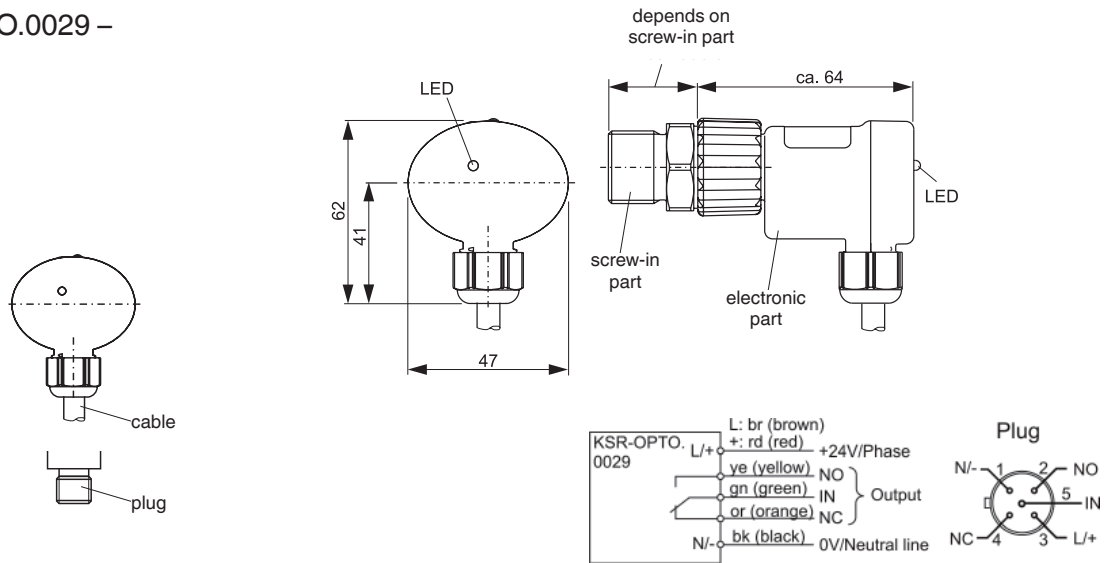
The unit contains an infrared LED and a photo-transistor. The LED light is irradiated into a prism. As long as the sensor tip of the prism is in the gaseous phase, the light is reflected within the prism to the receiver. If the liquid level in the tank rises and covers the tip, the infrared light is broken at the liquid surface and only a small part reaches the receiver. This difference is evaluated by the electronics and initiates a switching process.



Version with screw-in part M20x1,5

Mini Switch

- KSR-OPTO.0029 -



Mini Switch

Material

- Electronic housing PA66, fiber reinforced
- Screw-in part Steel nickelized
- Prisma Soda-lime glass or borosilicate glass

Mounting housing to screw-in part Union

Light source IR-light 930 nm

Ambient light max. 500 Lux

Medium temperature -30 °C ... +120 °C
Ambient temperature -30 °C ... +60 °C

Operating pressure (screw-in part) 42 bar

Wight (without screw-in part) 80 g

Mounting direction Horizontal

Minimum distance sensor tip to any opposite wall >10 mm

Indication Red LED

Blink code to signal the operating status see manual

Turn-on-time (fix, factory setting) ca. 1 s, other up to 12 s on request

Supply 110 ...230 VAC ± 15 % 50 ... 60 Hz, 24 V DC ± 15 %

Supply current max. ca. 22 mA

Output relay SPDT

Switch-voltage, -current,- power 250 VAC, NC=5 A, NO=7 A, 1750 VA12/W

Cable 5x0,75 mm², L=2 m, colour coded

Mech. lifetime ca. 10⁵ switch cycles

Ingress protection acc. to EN 60529 in mounted condition IP 54

Subject to alterations



KSR KUEBLER
Niveau-Messtechnik AG
Heinrich-Kuebler-Platz 1
69439 Zwingenberg
Tel. (+49) 6263 87-0
Fax (+49) 6263 8799
E-Mail info@ksr-kuebler.com
Internet www.ksr-kuebler.com